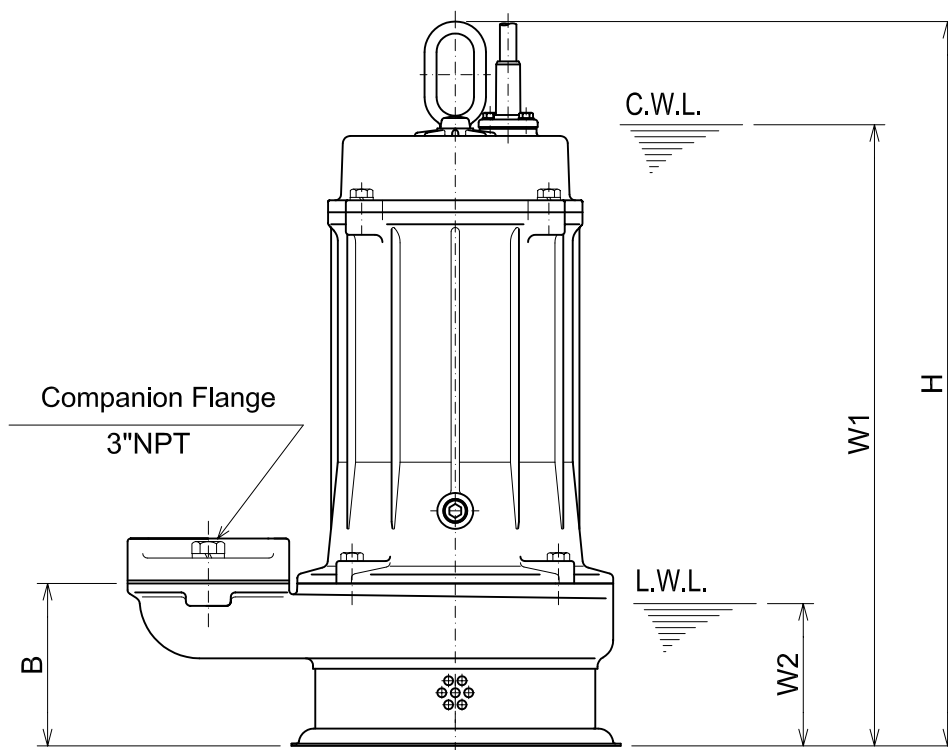
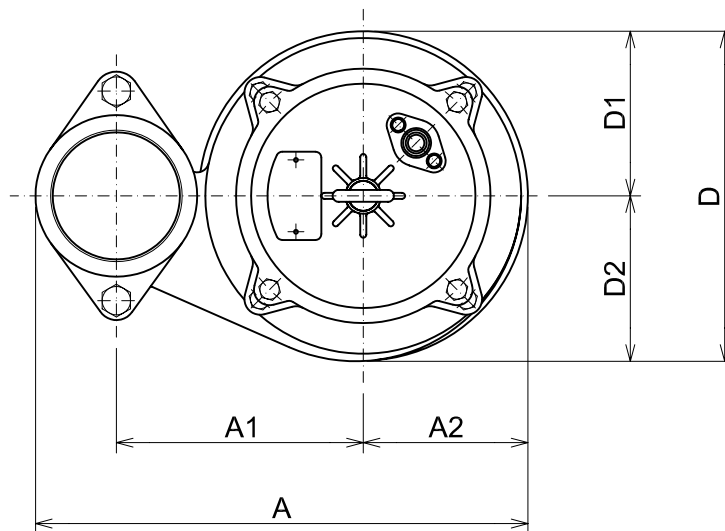




SFQ-SERIES
ALL316SS - DEWATERING PUMPS

DIMENSIONS

80SFQ21.5 -62



C.W.L. :Continuous running Water Level
L.W.L. :Lowest running Water Level

DIMENSIONS:USCS(Inch)

Model	HP	NOM. SIZE	Pump & Motor								C.W.L. W1	L.W.L. W2	Wt. (lbs.)
			A	A1	A2	B	D	D1	D2	H			
80SFQ21.5 -62	2	3"	12 15/16	6 1/2	4 5/16	4 5/16	8 11/16	4 5/16	4 3/8	19 1/16	16 3/8	3 3/4	79

DIMENSIONS:METRIC(mm)

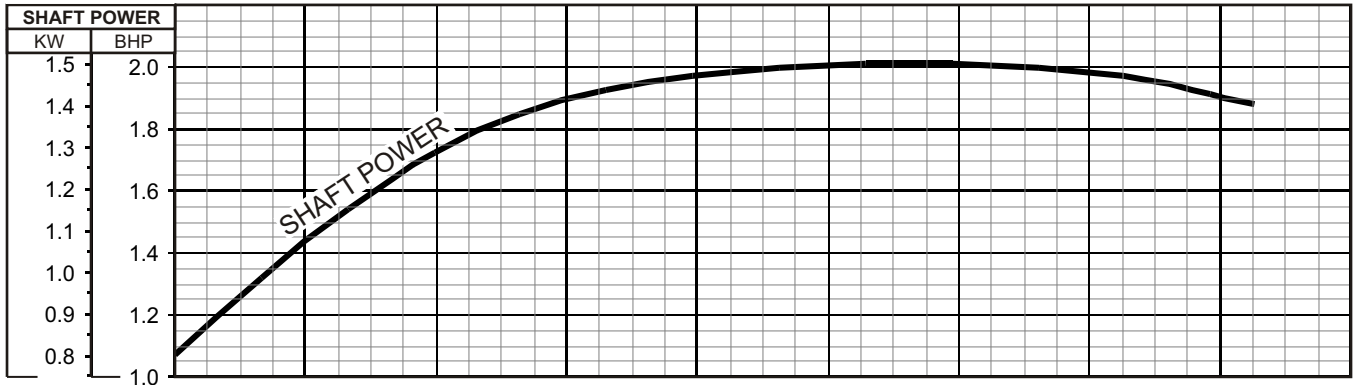
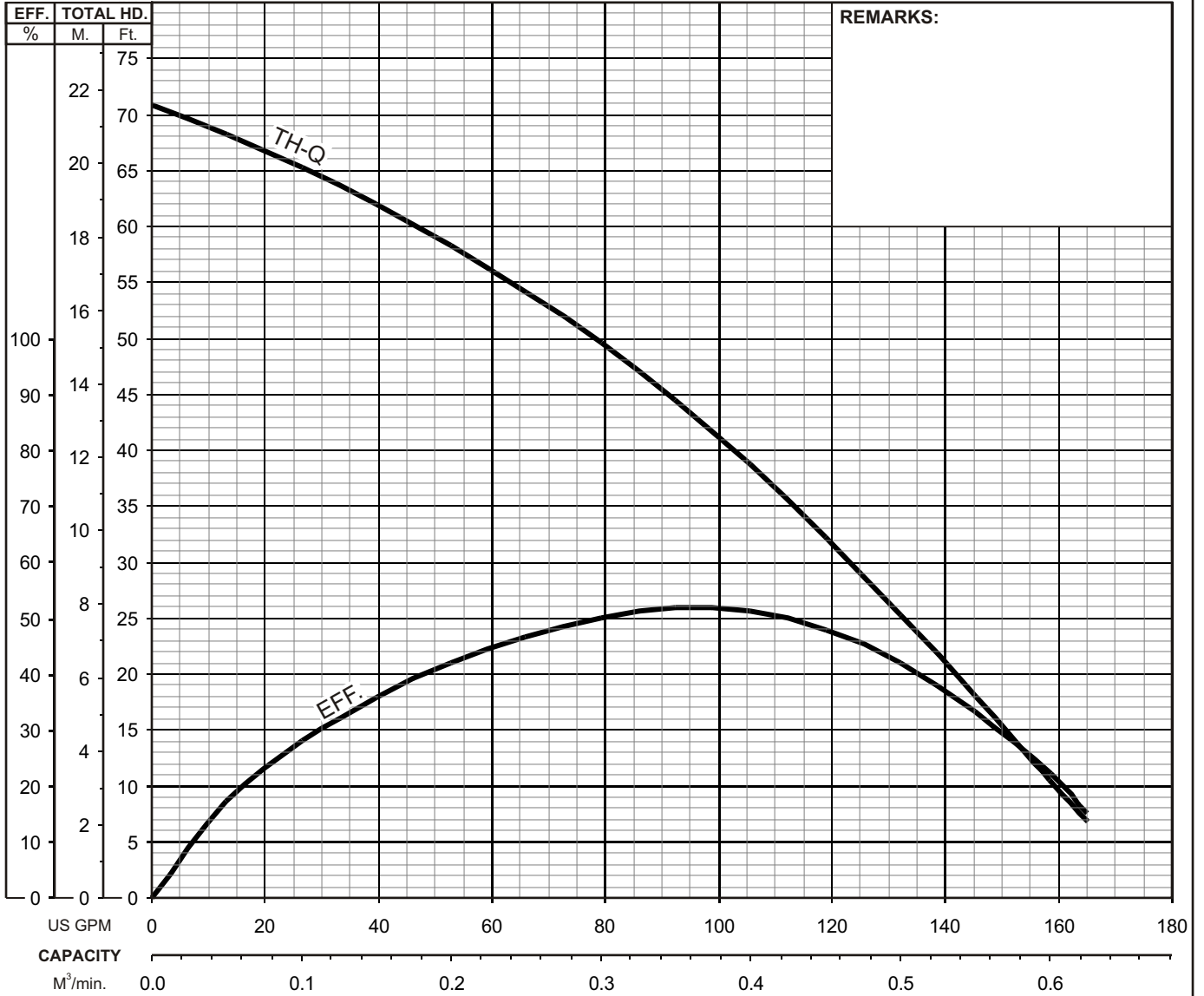
Model	kW	NOM. SIZE	Pump & Motor								C.W.L. W1	L.W.L. W2	Wt. (kg)
			A	A1	A2	B	D	D1	D2	H			
80SFQ21.5 -62	1.5	80	329	165	110	109	221	110	111	484	415	95	36

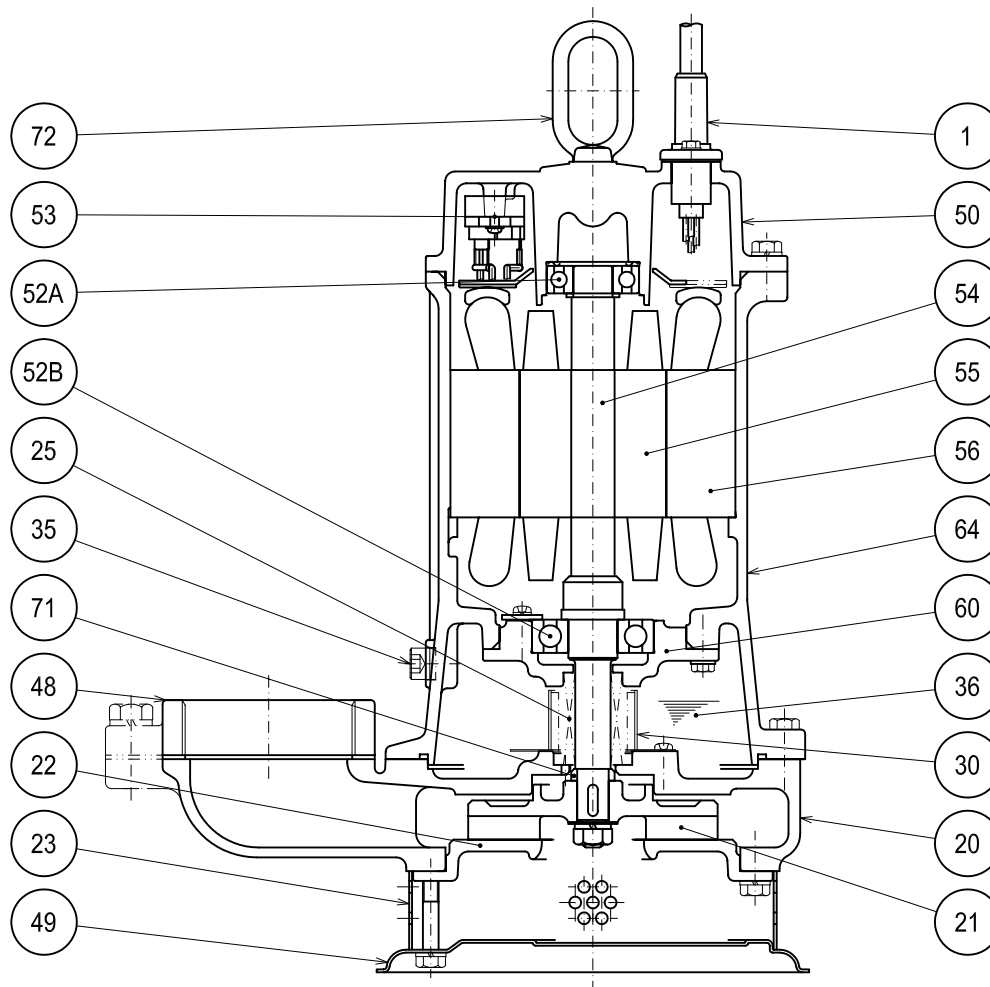


SFQ - SERIES ALL 316 SS - DEWATERING PUMPS

PERFORMANCE CURVE

MODEL	BORE	HP	KW	RPM	SOLIDS DIA	LIQUID	SG.	VISCOSITY	TEMP.
80SFQ21.5-62	3"/80mm	2	1.5	3450	0.236"/6mm	Water	1.0	1.123 cSt.	60°F
PUMP TYPE	PHASE	VOLTAGE	AMPERAGE	HZ	STARTING METHOD	INS. CLASS			
All 316 SS - Dewatering Pump	3	208-230/460/575	6.9-6.7 / 3.4 / 2.7	60	Direct On Line	F			
CURVE No.	DATE	PHASE	VOLTAGE	AMPERAGE	HZ	STARTING METHOD	INS. CLASS		
-	-	-	-	-	-	-	-		



80SFQ21.5 -62


PART#	DESCRIPTION	MAIN MATERIAL / NOTE	RELATED ASTM,AISI CODE	RELATED EN CODE	QTY
1	Power Cable	PVC Sheath AWG 16/4-32ft			1
20	Pump Casing	Stainless Steel Casting	A743 CF-8M	GX5CrNiMo19-11-2	1
21	Impeller	Stainless Steel Casting	A743 CF-8M	GX5CrNiMo19-11-2	1
22	Suction Cover	Stainless Steel Casting	A743 CF-8M	GX5CrNiMo19-11-2	1
23	Suction Strainer	Stainless Steel	S 31600	1.4401	1
25	Mechanical Seal	Silicon Carbide / X-18W			1
30	Oil Lifter	Steel (Cold Rolled)	A109/A1008	EN 10130	1
35	Oil Plug	Stainless Steel	S 31600	1.4401	1
36	Lubricant	Turbine Oil ISO VG32 or SAE 10W-20			
48	Companion Flange	Stainless Steel Casting / NPT 3"	A743 CF-8M	GX5CrNiMo19-11-2	1
49	Bottom Plate	Stainless Steel	S 31600	1.4401	1
50	Motor Bracket	Stainless Steel Casting	A743 CF-8M	GX5CrNiMo19-11-2	1
52A	Upper Bearing	#6204ZZC3			1
52B	Lower Bearing	#6205ZZC3			1
53	Motor Protector				1
54	Shaft	Stainless Steel	S 31600	1.4401	1
55	Rotor				1
56	Stator	Stainless Steel Casting			1
60	Bearing Housing	Cast Iron	A48M Class30B	EN 1561 GJL-200	1
64	Motor Housing	Stainless Steel Casting	A743 CF-8M	GX5CrNiMo19-11-2	1
71	Shaft Sleeve	Stainless Steel	S 31600	1.4401	1
72	Lifting Lug Bolt	Stainless Steel	S 31600	1.4401	1

PARTS LIST		CORROSION RESISTANT PUMP			2/15/2018	
ITEM	PART No.	DESCRIPTION	QTY	SIZE	MATERIAL	NOTES
1	140-018-24	Hex.Bolt	2	M5x15	SUS316	
2	142-125-34	Plain Washer	2	M5	SUS316	
3	003-190-10	Gland	1		SUS316	
4	001-803-20	Cabtyre Cable Set (10m)460V-60Hz(USA)	1	VCT4Cx1.25mm2	LBT	
5	050-000-09	Motor Bracket	1		SCS14	
6	072-000-02	Eye Bolt	1	M10	SUS316	
	142-001-09	Washer		M10 (d11.4xd17x0.1t)	SUS316	
	142-001-10	Washer		M10 (d11.4xd17x0.3t)	SUS316	
7	140-055-36	Hex.Bolt	4	M8x25	SUS316	
8	142-163-21	Spring Washer	4	M8	SUS316	
9	122-000-06	O-Ring	1	G-145(144.4xd3.1)	VITON	*
10	009-211-16	Earth Terminal	1Set	1.25mm2x120L		
11	143-085-34	Pan Screw (w/Spring Washer)	1	M4x6	C3604	
12	053-477-19	Motor Protector 460V-60Hz(USA)	1	KA313-GQXL104	(T.C)	
13	143-126-12	Pan Screw (w/Spring Washer/Plain Washer)	2	M4x12	SWRM	
14	142-389-12	Wave Washer	1	6204	SK5	
15	052-103-18	Bearing	1	6204ZZC3		
16	058-000-13	Lead Wire Protection Plate	1	d61xd132x2t	Bakelite	
17	061-174-18	Slinger	1	d20xd27x2t	SPC	
18	055-000-03	Rotor	1Set			
19	147-039-19	Impeller Key	1	5x5x15.5L	SUS316	
20	056-001-19	Stator 460V-60Hz(USA)	1Set			
21	145-027-18	Taper Pin	1	d5x40	S45C	
22	052-108-13	Bearing	1	6305ZZC3		
23	064-000-07	Motor Frame	1		SCS14	
24	140-056-24	Hex.Bolt	4	M8x30	SUS316	
25	142-163-21	Spring Washer	4	M8	SUS316	
26	121-387-15	Packing	1	d10.3xd16x3t	PE	*
27	035-117-12	Oil Plug	1	M10x20	SUS316	
28	140-000-23	Hex.Bolt (w/Spring Washer)	2	M5x10	SWRM	
29	062-187-17	Bearing Fixing Washer	2	d5.5xd18x2.3t	SPC	
30	122-130-14	O-Ring	1	G-95(94.4xd3.1)	NBR	*
31	060-267-16	Bearing Housing	1		FC	
32	142-126-19	Plain Washer	4	M6	SUS304	
33	140-032-11	Hex.Bolt	4	M6x15	SUS304	
34	025-190-18	Mechanical Seal	1	X-18W	SiC	
35	143-070-10	Pan Screw	2	M5x6	SWRM	
36	030-000-05	Oil Lifter	1	X-18W	SPCC	
37	122-000-20	O-Ring	1	165xd3.1	VITON	*

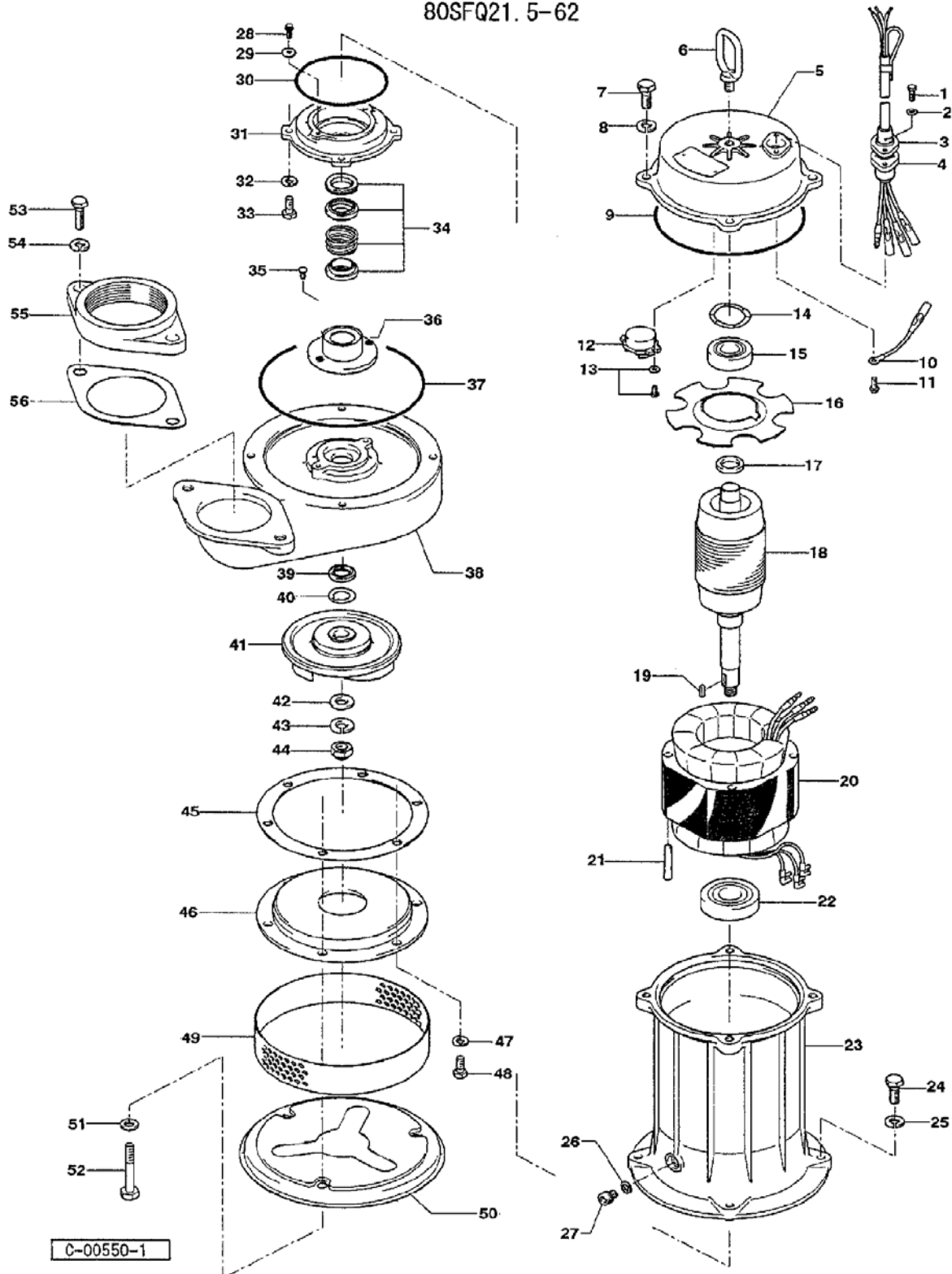
* Indicates items included in set

PARTS LIST		CORROSION RESISTANT PUMP				2/15/2018
ITEM	PART No.	DESCRIPTION	QTY	SIZE	MATERIAL	NOTES
38	020-317-18	Pump Casing	1	8/15-CL	SCS14	
39	071-106-10	Shaft Sleeve	1	8/15-CL	SUS316	
40	040-115-16	Impeller Shim		d16.2xd22x0.3t	SUS316	
41	021-275-16	Impeller (60Hz)	1	80SFQ21.5-62	SCS14	
42	142-129-38	Plain Washer	1	M12	SUS316	
43	142-165-23	Spring Washer	1	M12	SUS316	
44	141-032-27	Hex.Cap Nut	1	M12	SUS316	
45	120-132-10	Packing (S.Cover)		d150xd183x0.3t	PE	
46	022-305-19	Suction Cover	1	8/15-CL	SCS14	
47	142-163-21	Spring Washer	3	M8	SUS316	
48	140-052-20	Hex.Bolt	3	M8x16	SUS316	
49	023-115-26	Strainer	1	8/15-CL	SUS316	
50	049-128-19	Bottom Plate	1	8/15-CL	SUS316	
51	142-127-36	Plain Washer	3	M8	SUS316	
52	140-060-21	Hex.Bolt	3	M8x50	SUS316	
53	140-098-28	Hex.Bolt	2	M12x35	SUS316	
54	142-165-23	Spring Washer	2	M12	SUS316	
55	048-189-15	Screwed Flange	1	NPT-3(P.C.140)	SCS14	
56	121-150-17	Packing	1	P.C.140xd85x2t	Cork	*
	173-000-49	Packing O-Ring Set	1Set	(Marked by *)		
9	122-000-06	O-Ring (M.Bracket/M.Frame)	1	G-145(144.4xd3.1)	VITON	*
26	121-387-15	Packing (Oil Plug)	1	d10.3xd16x3t	PE	*
30	122-130-14	O-Ring (M.Frame/Brg.Housing)	1	G-95(94.4xd3.1)	NBR	*
37	122-000-20	O-Ring (M.Frame/P.Casing)	1	165xd3.1	VITON	*
56	121-150-17	Packing (Screwed Flange)	1	P.C.140xd85x2t	Cork	*
		Lubricant		Turbine Oil VG32 1,200ml		

PARTS LIST		CORROSION RESISTANT PUMP			2/15/2018	
ITEM	PART No.	DESCRIPTION	QTY	SIZE	MATERIAL	NOTES

EXPLODED VIEW

80SFQ21.5-62



* Indicates items included in set